


# + GBC

## 2-WAY HIGH PRESSURE BALL VALVES



### CARBON STEEL

- Type: ball valve GBC 2 way 
- Body: round
- Material: 1,0570/1,0737
- Ball seats: from DN32 up to DN50
- O-Rings: NBR, FKM, EPDM, MVQ
- Operating pressure: 350 Bar depending on valve size and seal materials selected
- Temp range: -20°C to +100°C depending on seal material selected

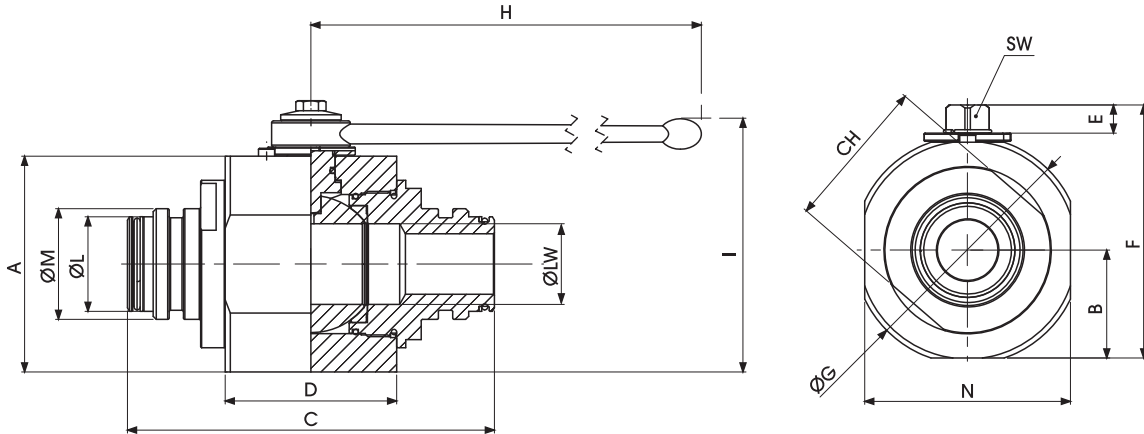
GBC	SAE32 M			DN32	1	1	1	1	A	B
Type and way of valve	Valves dimension of pressure (psi)			Nominal dimension	Body material	Adapter material	Stem material	Ball material	Ball seat material	Adapter and stem seal material
GBC 2-way	MALE	FEMALE	MALE-FEMALE	DN32	2 1,0570	2 1,0570	1 1,0737	1 1,0737	A POM	B NBR
	SAE20	SAE20	SAE20	DN40					D PEEK	E FKM
	SAE24	SAE24	SAE24	DN50					G PA612	F EPDM
	SAE32	SAE32	SAE32						K GEMPTFE	L MVQ
									C PTFE	





# 2-WAY HIGH PRESSURE BALL VALVES

Specialist in Ball Valves

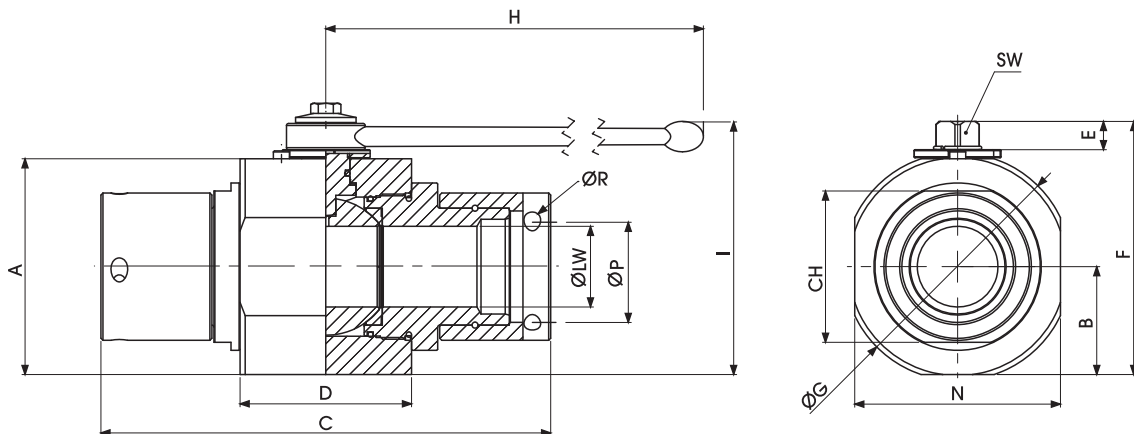


## GBC MALE SAEJ1467

Standard

CARBON STEEL

TYPE	PN	DN	A	B	C	D	E	F	ØG	H	I	ØL	ØM	N	CH	SW	ØLW	KG	ITEM CODE
GBC SAE20	35 MPa	32	93	75	163	75	14	112	98	300	112	38	46	88	60	17	32	5,87	GB2MCE53021A000
GBC SAE24	35 MPa	40	107	85	182	85	14	126	113	300	126	45	56	102	75	17	40	8,257	GB2MCE63021A000
GBC SAE32	35 MPa	50	114	98	195	98	14	133	123	300	133	56	64	118	85	17	50	10,38	GB2MCE73021A000



## GBC FEMALE SAEJ1467

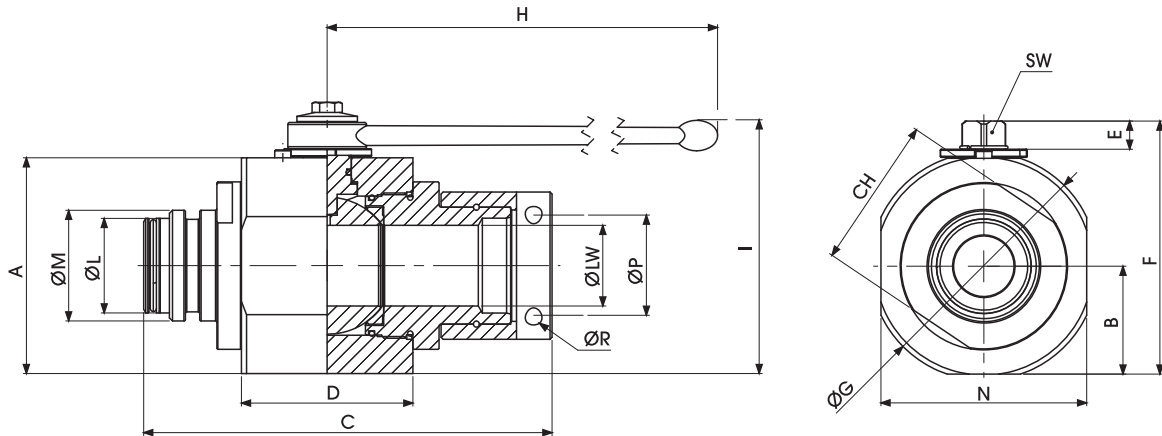
Standard

CARBON STEEL

TYPE	PN	DN	A	B	C	D	E	F	ØG	H	I	N	CH	ØP	ØR	SW	ØLW	KG	ITEM CODE
GBC SAE20	35 MPa	32	93	75	163	75	14	112	98	300	112	88	60	43	8,5	17	32	5,87	GB2FCE53021A000
GBC SAE24	35 MPa	40	107	85	182	85	14	126	113	300	126	102	75	52	8,5	17	40	8,257	GB2FCE63021A000
GBC SAE32	35 MPa	50	114	98	195	98	14	133	123	300	133	118	85	62	8,5	17	50	10,38	GB2FCE73021A000

# + GBC 2-WAY HIGH PRESSURE BALL VALVES

www.gemels.it

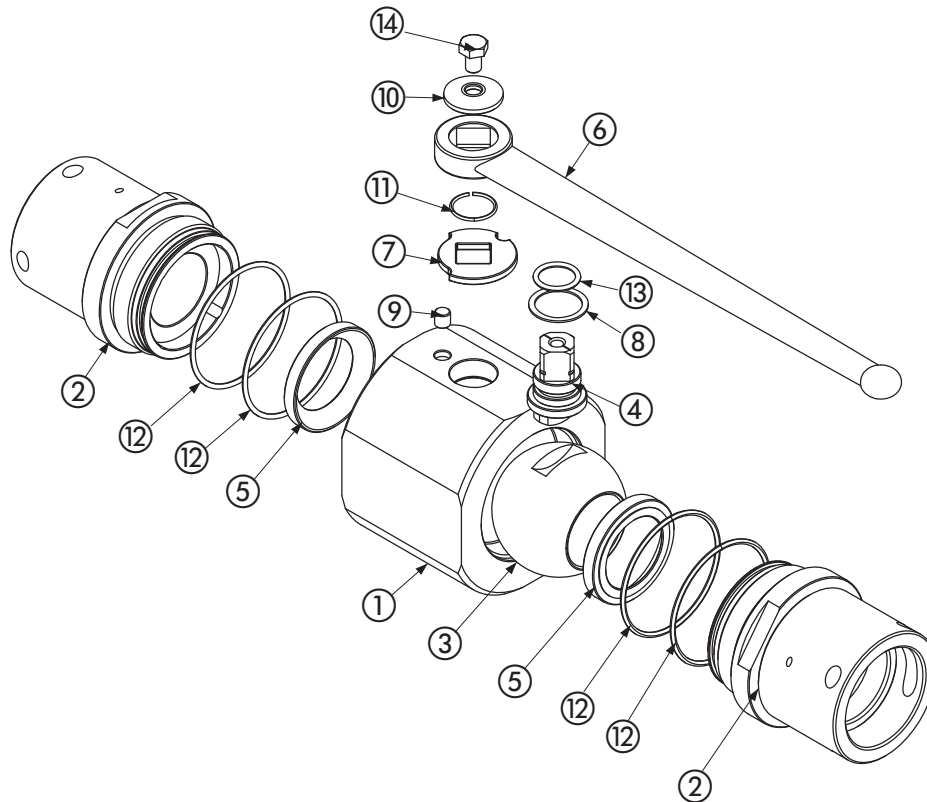


## GBC MALE FEMALE SAEJ1467

Standard

CARBON STEEL

TYPE	PN	DN	A	B	C	D	E	F	ØG	H	I	ØL	ØM	N	CH	ØP	ØR	SW	ØLW	KG	ITEM CODE
GBC SAE20	35 MPa	32	93	75	163	75	14	112	98	300	112	38	46	88	60	43	8,5	17	32	5,87	GB2MFE53021A000
GBC SAE24	35 MPa	40	107	85	182	85	14	126	113	300	126	45	56	102	75	52	8,5	17	40	8,257	GB2MFE63021A000
GBC SAE32	35 MPa	50	114	98	195	98	14	133	123	300	133	56	64	118	85	62	8,5	17	50	10,38	GB2MFE73021A000



### Carbon steel

Pos	Description	Material	Q.tà
1	Body	1,0570	1
2	Adapter	1,0570	2
3	Ball	1,0737	1
4	Stem	1,0737	1
5	Ball seat	POM	2
6	Handle	1,0116	1
7	Washer	1,0116	1
8	Stem ring	POM	1
9	Spine	1,0737	1
10	Washer	1,0737	1
11	Seeger	1,4301	1
12	Adapter o-ring	NBR	4
13	Stem o-ring	NBR	1
14	Screw	ISO4017 8.8	1

### On request

- Reduced bore
- O-Ring in FKM, EPDM, HNBR, KALREZ
- Seals in PTFE, PEEK, PA612, GEMPTFE, METAL TO METAL
- Special threads
- Stem in stainless steel 1,4404
- Ball in stainless steel 1,4404
- Pressure class up to PN35 Mpa
- Pneumatic and electrical actuator
- Locking device
- For further special requests please consult our technical/commercial service