

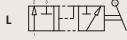

# + GE5

3-WAY HIGH PRESSURE BALL VALVES

**SMALLER DESIGN**



## CARBON STEEL

- Type: ball valve GE 3 way 
- Body: block 
- Material: 1,0737
- Ball seats: from DN6 up to DN13
- O-Rings: NBR, FKM, EPDM, MVQ
- Operating pressure: 500 Bar depending on valve size and seal materials selected
- Temp range: -20°C to +100°C depending on seal material selected

**GE5                      G 3/8                      DN10   1   1   1   1   A   B**

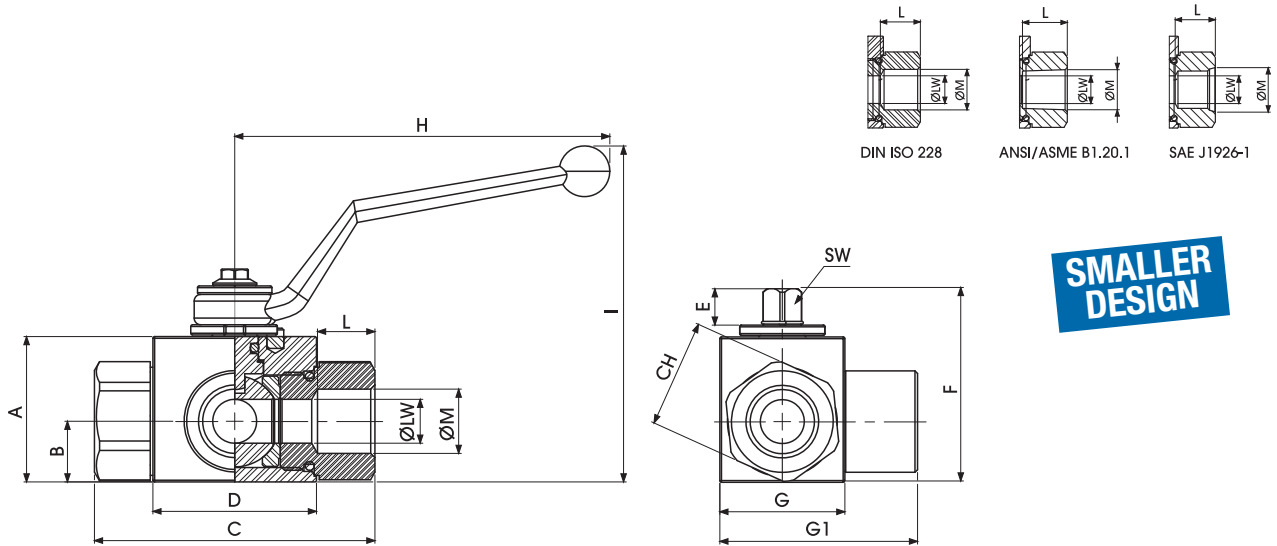
| Type and way of valve | GAS<br>DIN/ISO<br>228 BSP | NPT<br>ANSI/ASME<br>B1.20.1 | SAE<br>J1926-1       | Nominal dimension   | Body material | Adapter material | Stem material | Ball material | Ball seat material | Adapter and stem seal material |
|-----------------------|---------------------------|-----------------------------|----------------------|---------------------|---------------|------------------|---------------|---------------|--------------------|--------------------------------|
| GE3 3-way             | G 1/4<br>G 3/8<br>G 1/2   | N 1/4<br>N 3/8<br>N 1/2     | SAE4<br>SAE6<br>SAE8 | DN6<br>DN10<br>DN13 | 1 1,0737      | 1 1,0737         | 1 1,0737      | 1 1,0737      | A POM              | B NBR                          |





# 3-WAY HIGH PRESSURE BALL VALVES

Specialist in Ball Valves



**SMALLER DESIGN**

## GE5 DIN/ISO 228 BSP

Standard

CARBON STEEL

| TYPE      | PN     | DN | A  | B    | C  | D    | E    | F    | G  | G1 | H   | I  | L    | ØM    | CH | SW | ØLW | KG    | ITEM CODE       |
|-----------|--------|----|----|------|----|------|------|------|----|----|-----|----|------|-------|----|----|-----|-------|-----------------|
| GE5 G 1/4 | 50 MPa | 6  | 33 | 14,3 | 69 | 39,4 | 10,8 | 47,3 | 26 | 42 | 111 | 90 | 14,8 | G 1/4 | 22 | 9  | 6   | 0,411 | GE5GGT15011A000 |
| GE5 G 3/8 | 50 MPa | 10 | 35 | 15   | 71 | 41,8 | 10,8 | 49,3 | 30 | 46 | 111 | 92 | 14,6 | G 3/8 | 27 | 9  | 10  | 0,512 | GE5GGT25011A000 |
| GE5 G 1/2 | 50 MPa | 13 | 40 | 18,3 | 83 | 44,4 | 10,8 | 54,3 | 35 | 54 | 111 | 97 | 19,3 | G 1/2 | 30 | 9  | 13  | 0,693 | GE5GGT35011A000 |

## GE5 ANSI/ASME B1.20.1 NPT

Standard

CARBON STEEL

| TYPE      | PN     | DN | A  | B    | C  | D    | E    | F    | G  | G1 | H   | I  | L    | ØM    | CH | SW | ØLW | KG    | ITEM CODE       |
|-----------|--------|----|----|------|----|------|------|------|----|----|-----|----|------|-------|----|----|-----|-------|-----------------|
| GE5 N 1/4 | 50 MPa | 6  | 33 | 14,3 | 69 | 39,4 | 10,8 | 47,3 | 26 | 42 | 111 | 90 | 14,8 | N 1/4 | 24 | 9  | 6   | 0,411 | GE5NNT15011A000 |
| GE5 N 3/8 | 50 MPa | 10 | 35 | 15   | 71 | 41,8 | 10,8 | 49,3 | 30 | 46 | 111 | 92 | 14,6 | N 3/8 | 30 | 9  | 10  | 0,512 | GE5NNT25011A000 |
| GE5 N 1/2 | 50 MPa | 13 | 40 | 18,3 | 83 | 44,4 | 10,8 | 54,3 | 35 | 54 | 111 | 97 | 19,3 | N 1/2 | 32 | 9  | 13  | 0,693 | GE5NNT35011A000 |

## GE5 SAE J1926-1

Standard

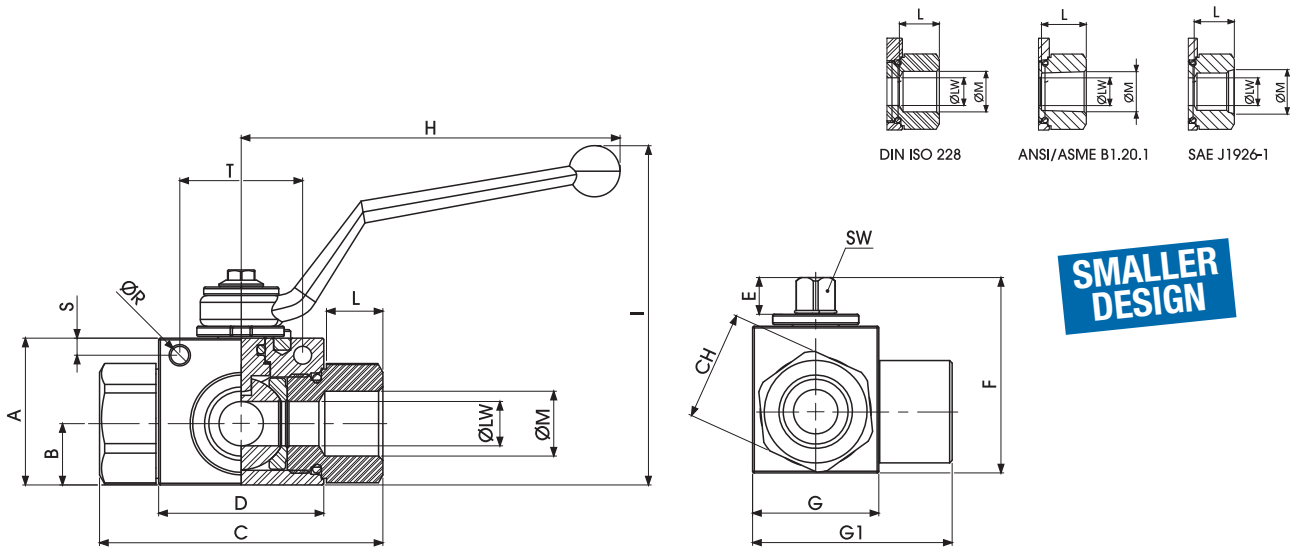
CARBON STEEL

| TYPE     | PN     | DN | A  | B    | C  | D    | E    | F    | G  | G1 | H   | I  | L    | ØM       | CH | SW | ØLW | KG    | ITEM CODE       |
|----------|--------|----|----|------|----|------|------|------|----|----|-----|----|------|----------|----|----|-----|-------|-----------------|
| GE5 SAE4 | 50 MPa | 6  | 33 | 14,3 | 69 | 39,4 | 10,8 | 47,3 | 26 | 42 | 111 | 90 | 14,8 | 7/16 UNF | 24 | 9  | 6   | 0,411 | GE5EEE05011A000 |
| GE5 SAE6 | 50 MPa | 10 | 35 | 15   | 71 | 41,8 | 10,8 | 49,3 | 30 | 46 | 111 | 92 | 14,6 | 9/16 UNF | 30 | 9  | 10  | 0,512 | GE5EEE15011A000 |
| GE5 SAE8 | 50 MPa | 13 | 40 | 18,3 | 83 | 44,4 | 10,8 | 54,3 | 35 | 54 | 111 | 97 | 19,3 | 3/4 UNF  | 32 | 9  | 13  | 0,693 | GE5EEE25011A000 |

# + GE5

## 3-WAY HIGH PRESSURE BALL VALVES

www.gemels.it



### GE5 DIN/ISO 228 BSP

Fixing holes

CARBON STEEL

| TYPE      | PN     | DN | A  | B    | C  | D    | E    | F    | G  | G1 | H   | I  | L    | ØM    | CH | ØR   | S   | T  | SW | ØLW | KG    | ITEM CODE       |
|-----------|--------|----|----|------|----|------|------|------|----|----|-----|----|------|-------|----|------|-----|----|----|-----|-------|-----------------|
| GE5 G 1/4 | 50 MPa | 6  | 33 | 14,3 | 69 | 39,4 | 10,8 | 47,3 | 26 | 42 | 111 | 90 | 14,8 | G 1/4 | 22 | 5,25 | 4,5 | 33 | 9  | 6   | 0,411 | GE5GGT15011AF10 |
| GE5 G 3/8 | 50 MPa | 10 | 35 | 15   | 71 | 41,8 | 10,8 | 49,3 | 30 | 46 | 111 | 92 | 14,6 | G 3/8 | 27 | 5,25 | 4,5 | 33 | 9  | 10  | 0,512 | GE5GGT25011AF10 |
| GE5 G 1/2 | 50 MPa | 13 | 40 | 18,3 | 83 | 44,4 | 10,8 | 54,3 | 35 | 54 | 111 | 97 | 19,3 | G 1/2 | 30 | 5,25 | 4,5 | 33 | 9  | 13  | 0,693 | GE5GGT35011AF10 |

### GE5 ANSI/ASME B1.20.1 NPT

Fixing holes

CARBON STEEL

| TYPE      | PN     | DN | A  | B    | C  | D    | E    | F    | G  | G1 | H   | I  | L    | ØM    | CH | ØR   | S   | T  | SW | ØLW | KG    | ITEM CODE       |
|-----------|--------|----|----|------|----|------|------|------|----|----|-----|----|------|-------|----|------|-----|----|----|-----|-------|-----------------|
| GE5 N 1/4 | 50 MPa | 6  | 33 | 14,3 | 69 | 39,4 | 10,8 | 47,3 | 26 | 42 | 111 | 90 | 14,8 | N 1/4 | 22 | 5,25 | 4,5 | 33 | 9  | 6   | 0,411 | GE5NNT15011AF10 |
| GE5 N 3/8 | 50 MPa | 10 | 35 | 15   | 71 | 41,8 | 10,8 | 49,3 | 30 | 46 | 111 | 92 | 14,6 | N 3/8 | 27 | 5,25 | 4,5 | 33 | 9  | 10  | 0,512 | GE5NNT25011AF10 |
| GE5 N 1/2 | 50 MPa | 13 | 40 | 18,3 | 83 | 44,4 | 10,8 | 54,3 | 35 | 54 | 111 | 97 | 19,3 | N 1/2 | 30 | 5,25 | 4,5 | 33 | 9  | 13  | 0,693 | GE5NNT35011AF10 |

### GE5 SAE J1926-1

Fixing holes

CARBON STEEL

| TYPE     | PN     | DN | A  | B    | C  | D    | E    | F    | G  | G1 | H   | I  | L    | ØM       | CH | ØR   | S   | T  | SW | ØLW | KG    | ITEM CODE       |
|----------|--------|----|----|------|----|------|------|------|----|----|-----|----|------|----------|----|------|-----|----|----|-----|-------|-----------------|
| GE5 SAE4 | 50 MPa | 6  | 33 | 14,3 | 69 | 39,4 | 10,8 | 47,3 | 26 | 42 | 111 | 90 | 14,8 | 7/16 UNF | 22 | 5,25 | 4,5 | 33 | 9  | 6   | 0,411 | GE5EEE05011AF10 |
| GE5 SAE6 | 50 MPa | 10 | 35 | 15   | 71 | 41,8 | 10,8 | 49,3 | 30 | 46 | 111 | 92 | 14,6 | 9/16 UNF | 27 | 5,25 | 4,5 | 33 | 9  | 10  | 0,512 | GE5EEE15011AF10 |
| GE5 SAE8 | 50 MPa | 13 | 40 | 18,3 | 83 | 44,4 | 10,8 | 54,3 | 35 | 54 | 111 | 97 | 19,3 | 3/4 UNF  | 30 | 5,25 | 4,5 | 33 | 9  | 13  | 0,693 | GE5EEE25011AF10 |

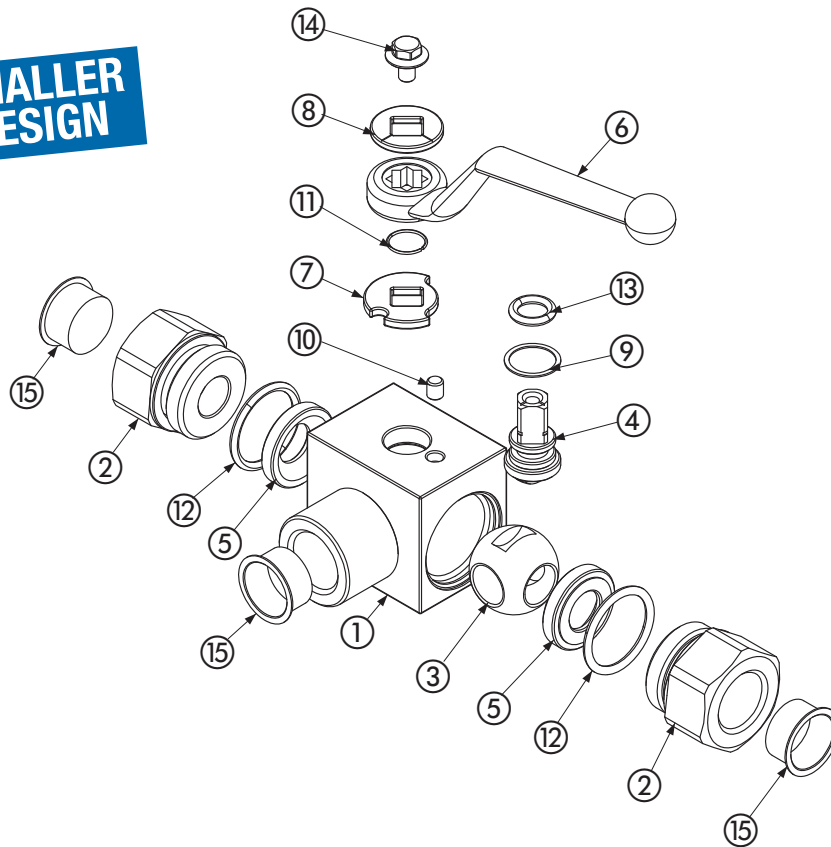
# + GE5

## 3-WAY HIGH PRESSURE BALL VALVES

www.gemels.it

2015 - Edition 3

**SMALLER DESIGN**



### Carbon steel

| Pos | Description    | Material     | Q.tà |
|-----|----------------|--------------|------|
| 1   | Body           | 1,0737       | 1    |
| 2   | Adapter        | 1,0737       | 2    |
| 3   | Ball           | 1,0737       | 1    |
| 4   | Stem           | 1,0737       | 1    |
| 5   | Ball seat      | POM          | 2    |
| 6   | Handle         | ZINC         | 1    |
| 7   | Washer         | 1,0116       | 1    |
| 8   | Washer         | 1,0116       | 1    |
| 9   | Stem ring      | POM          | 1    |
| 10  | Spine          | 1,0737       | 1    |
| 11  | Seeger         | 1,4301       | 1    |
| 12  | Adapter o-ring | NBR          | 2    |
| 13  | Stem o-ring    | NBR          | 1    |
| 14  | Screw          | Din 6921 8.8 | 1    |
| 15  | Caps           | PVC          | 3    |

*For further special requests please consult our technical/commercial service*

- On request**
- Reduced bore
  - O-Ring in FKM, EPDM, HNBR, KALREZ
  - Seals in PTFE, PEEK, PA612, GEMPTFE, METAL TO METAL
  - Special threads
  - Stem in stainless steel 1,4404
  - Ball in stainless steel 1,4404
  - Pressure class up to PN50 MPa
  - Pneumatic and electrical actuator
  - Security block
  - Locking device