


+ GBF

2-WAY HIGH PRESSURE BALL VALVES




CARBON STEEL

- Type: ball valve GB 2 way 
- Body: round
- Material: 1,0570/1,0737
- Ball seats: from DN32 up to DN50
- O-Rings: NBR, FKM, EPDM, MVQ
- Operating pressure: S3000 (210 bar), S6000 (350 bar) depending on valve size and seal materials selected
- Temp range: -20°C to +100°C depending on seal material selected

GB	F3	DN32	2	2	1	1	A	B
Type and way of valve GB 2-way	Valves dimension of pressure (psi) F3 F6 S3000 S6000	Nominal dimension DN32 DN40 DN50	Body material 2 1,0570	Adapter material 2 1,0570	Stem material 1 1,0737	Ball material 1 1,0737	Ball seat material A POM D PEEK G PA612 K GEMPTFE C PTFE	Adapter and stem seal material B NBR E FKM F EPDM L MVQ

STAINLESS STEEL

- Type: ball valve GB 2 way 
- Body: round
- Material: 1,4404/1,4404
- Ball seats: from DN32 up to DN50
- O-Rings: NBR, FKM, EPDM, MVQ
- Operating pressure: S3000 (210 bar), S6000 (350 bar) depending on valve size and seal materials selected
- Temp range: -60°C to +230°C depending on seal material selected

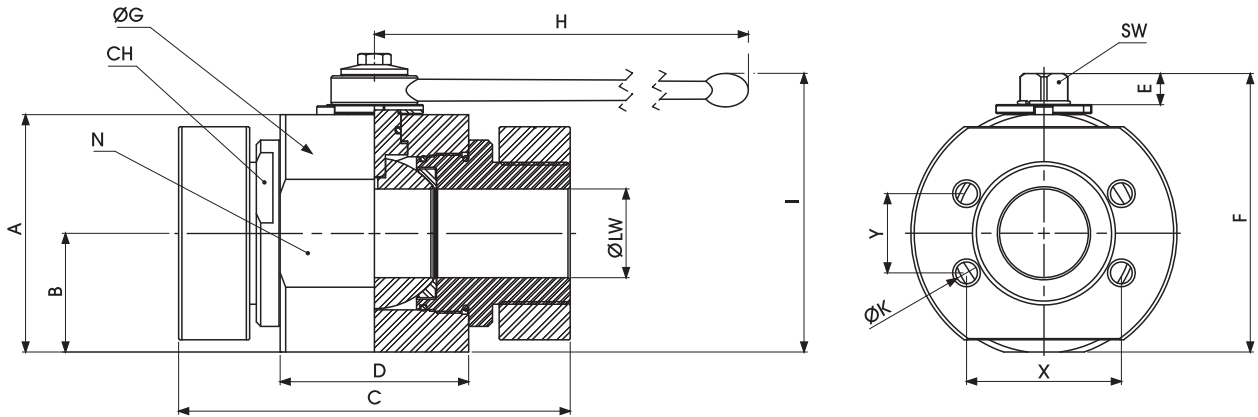
GB	F3	DN32	4	4	4	4	A	B
Type and way of valve GB 2-way	Valves dimension of pressure (psi) F3 F6 S3000 S6000	Nominal dimension DN32 DN40 DN50	Body material 4 1,4404	Adapter material 4 1,4404	Stem material 4 1,4404	Ball material 4 1,4404	Ball seat material A POM D PEEK G PA612 K GEMPTFE C PTFE	Adapter and stem seal material B NBR E FKM F EPDM L MVQ





2-WAY HIGH PRESSURE BALL VALVES

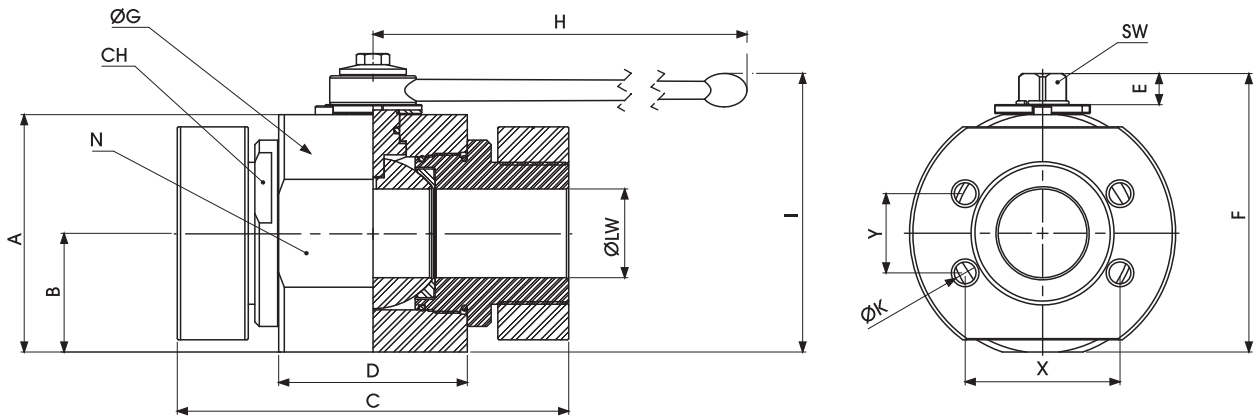
Specialist in Ball Valves



GBF SAE J518 S3000

Standard

TYPE	PN	DN	A	B	C	D	E	F	ØG	H	I	N	X	Y	ØK	CH	SW	ØLW	KG	CARBON STEEL	STAINLESS STEEL
																				ITEM CODE	ITEM CODE
GBF3	4000 Psi	32	93	46,5	172	75	13,5	111,5	98	300	120,5	88	58,7	30,2	M10	60	17	32	8,102	GB2FFC3L021A000	GB2FFC3L044A000
GBF3	3000 Psi	40	107	53,5	176,5	85	13,5	125,5	113	300	134,5	102	69,8	35,7	M12	75	17	40	11,142	GB2FFC4L021A000	GB2FFC4L044A000
GBF3	3000 Psi	50	114	57	196	98	13,5	132,5	123	300	141,5	118	77,8	42,9	M12	85	17	50	15,343	GB2FFC5L021A000	GB2FFC5L044A000



GBF SAE J518 S3000 UNC

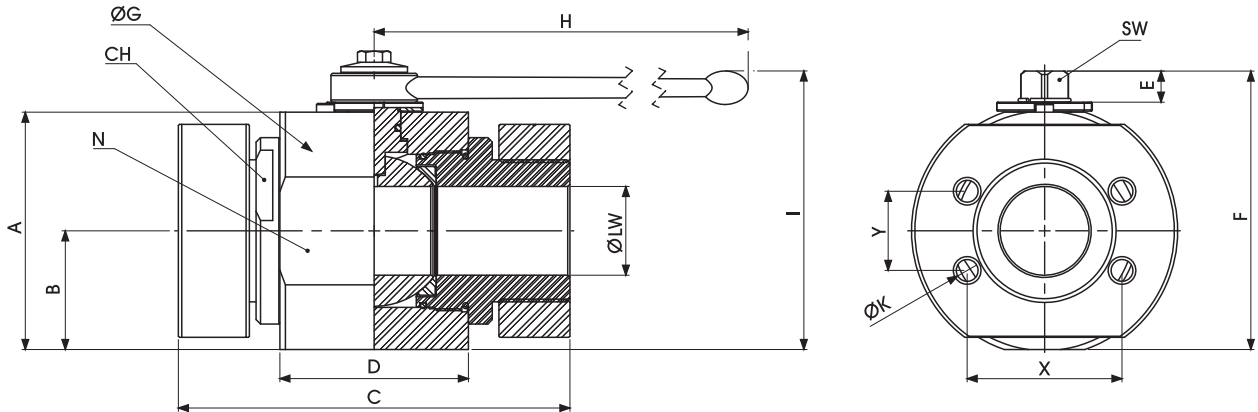
Standard

TYPE	PN	DN	A	B	C	D	E	F	ØG	H	I	N	X	Y	ØK	CH	SW	ØLW	KG	CARBON STEEL	STAINLESS STEEL
																				ITEM CODE	ITEM CODE
GBF3	4000 Psi	32	93	46,5	172	75	13,5	111,5	98	300	120,5	88	58,7	30,2	7/16-14 UNC	60	17	32	8,102	GB2FUC3L021A000	GB2FUC3L044A000
GBF3	3000 Psi	40	107	53,5	176,5	85	13,5	125,5	113	300	134,5	102	69,8	35,7	1/2-13 UNC	75	17	40	11,142	GB2FUC4L021A000	GB2FUC4L044A000
GBF3	3000 Psi	50	114	57	196	98	13,5	132,5	123	300	141,5	118	77,8	42,9	1/2-13 UNC	85	17	50	15,343	GB2FUC5L021A000	GB2FUC5L044A000

+ GBF

2-WAY HIGH PRESSURE BALL VALVES

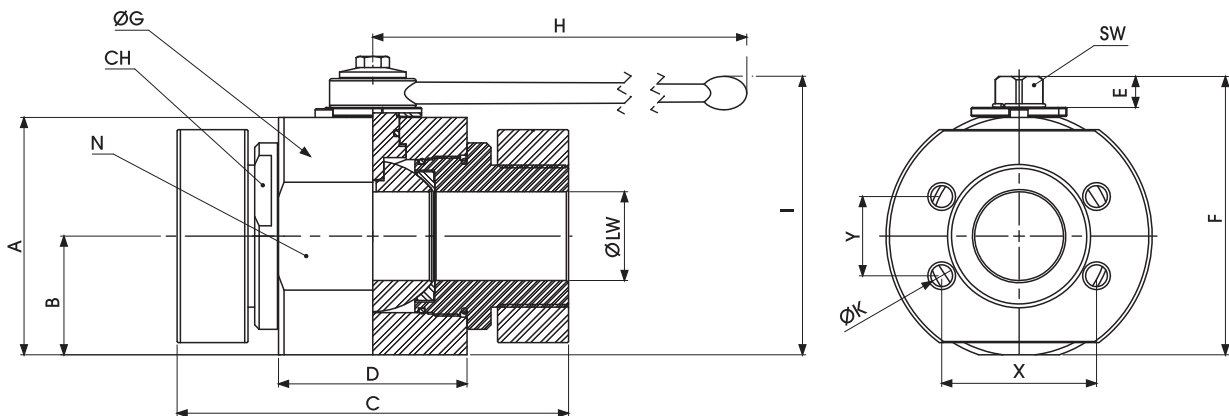
www.gemels.it



GBF SAE J518 S6000

Standard

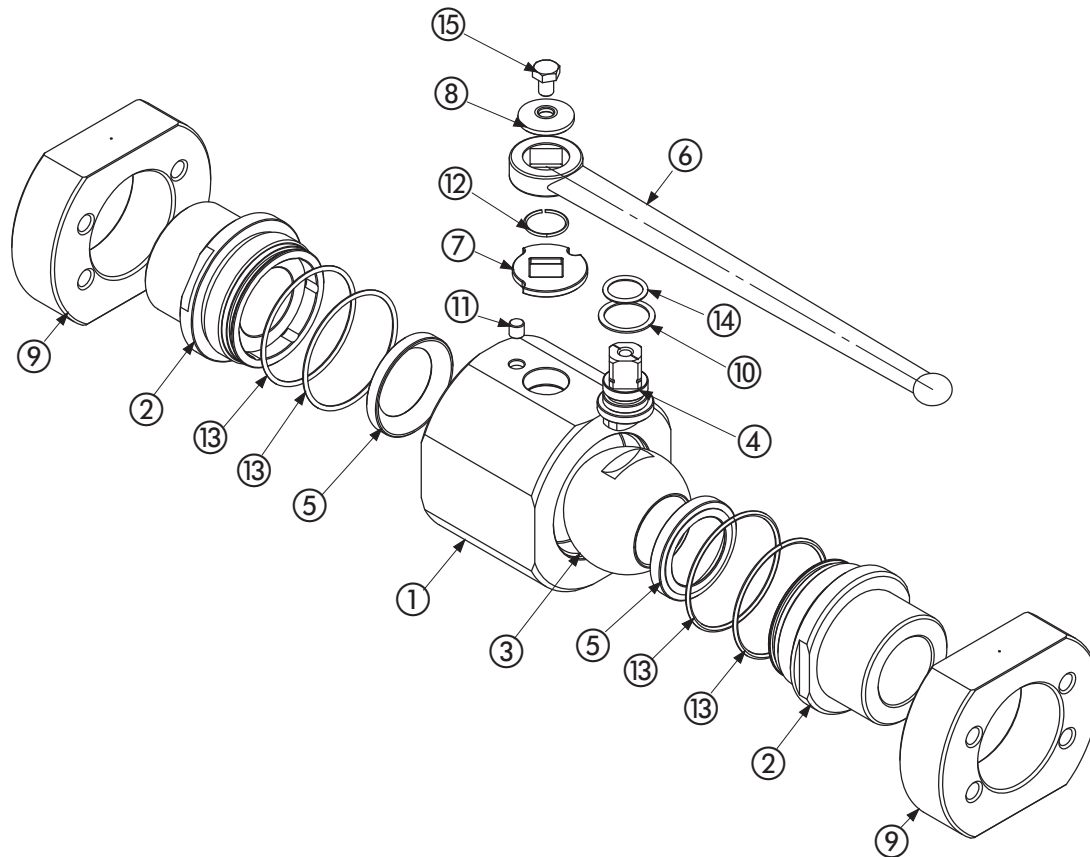
TYPE	PN	DN	A	B	C	D	E	F	ØG	H	I	N	X	Y	ØK	CH	SW	ØLW	KG	CARBON STEEL	STAINLESS STEEL
																				ITEM CODE	ITEM CODE
GBF6	5000 Psi	32	93	46,5	172	75	13,5	111,5	98	300	120,5	88	66,7	31,8	M12	60	17	32	8,102	GB2FFC93021A000	GB2FFC93044A000
GBF6	5000 Psi	40	107	53,5	176,5	85	13,5	125,5	113	300	134,5	102	79,4	36,5	M16	75	17	40	11,142	GB2FFCA3021A000	GB2FFCA3044A000
GBF6	5000 Psi	50	114	57	196	98	13,5	132,5	123	300	141,5	118	96,8	44,5	M20	80	17	50	15,343	GB2FFCB3021A000	GB2FFCB3044A000



GBF SAE J518 S3000 UNC

Standard

TYPE	PN	DN	A	B	C	D	E	F	ØG	H	I	N	X	Y	ØK	CH	SW	ØLW	KG	CARBON STEEL	STAINLESS STEEL
																				ITEM CODE	ITEM CODE
GBF6	5000 Psi	32	93	46,5	172	75	13,5	111,5	98	300	120,5	88	66,7	31,8	1/2-13 UNC	60	17	32	8,102	GB2FUC93021A000	GB2FUC93044A000
GBF6	5000 Psi	40	107	53,5	176,5	85	13,5	125,5	113	300	134,5	102	79,4	36,5	5/8-11 UNC	75	17	40	11,142	GB2FUCA3021A000	GB2FUCA3044A000
GBF6	5000 Psi	50	114	57	196	98	13,5	132,5	123	300	141,5	118	96,8	44,5	3/4-10 UNC	85	17	50	15,343	GB2FUCB3021A000	GB2FUCB3044A000



Carbon steel

Pos	Description	Material	Q.tà
1	Body	1,0570	1
2	Adapter	1,0570	2
3	Ball	1,0737	1
4	Stem	1,0737	1
5	Ball seat	POM	2
6	Handle	1,0116	1
7	Washer	1,0116	1
8	Washer	1,0737	1
9	Flange	1,0570	2
10	Stem ring	POM	1
11	Spine	1,0737	1
12	Seeger	1,4301	1
13	Adapter o-ring	NBR	4
14	Stem o-ring	NBR	1
15	Screw	ISO4017 8.8	1

- On request**
- Reduced bore
 - O-Ring in FKM, EPDM, HNBR, KALREZ
 - Seals in PTFE, PEEK, PA612, GEMPTFE, METAL TO METAL
 - Special threads
 - Stem in stainless steel 1,4404
 - Ball in stainless steel 1,4404
 - Pressure class up to PN5000 Psi
 - Pneumatic and electrical actuator
 - Locking device

For further special requests please consult our technical/commercial service

Stainless steel

Pos	Description	Material	Q.tà
1	Body	1,4044	1
2	Adapter	1,4044	2
3	Ball	1,4044	1
4	Stem	1,4301	1
5	Ball seat	POM	2
6	Handle	1,4301	1
7	Washer	1,4301	1
8	Washer	1,4301	1
9	Flange	1,4044	2
10	Stem ring	POM	1
11	Spine	1,4301	1
12	Seeger	1,4301	1
13	Adapter o-ring	NBR	4
14	Stem o-ring	NBR	1
15	Screw	ISO4017 A2	1

- On request**
- Reduced bore
 - O-Ring in FKM, EPDM, HNBR, KALREZ
 - Seals in PTFE, PEEK, PA612, GEMPTFE, METAL TO METAL
 - Special threads
 - Pressure class up to PN5000 Psi
 - Pneumatic and electrical actuator
 - Locking device