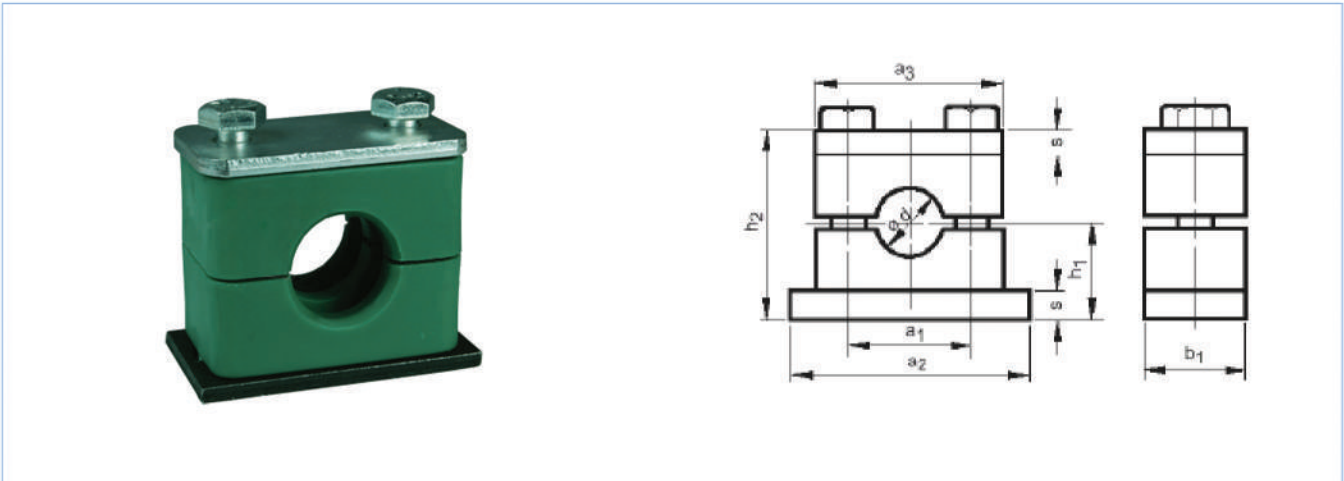


**DIN 3015 - Part 1  
Standard Series Clamps**

Product Code  
Jaws Material  
Metal Assemblies

**PCL**  
PP, PA, SS  
CS, SS



DIN / JE GROUP	PIPE OD Dia	a <sub>2</sub>	a <sub>3</sub>	a <sub>1</sub>	T	h <sub>2</sub>	BOLT SIZE
1	4	43	37	20	3	33	M6x30
	6						
	6.4						
	8						
	9.5						
	10						
2	12	48	42	26	3	39	M6x35
	12.7						
	13.5						
	14						
	15						
	16						
3	17.2	56	50	33	3	42	M6x40
	18						
	19						
	20						
	21.3						
	22						
4	25	65	59	40	3	48	M6x45
	26.9						
	28						
	30						
	32						
	33.7						
5	35	77	71	52	3	64	M6x60
	38						
	40						
	42						
	44.5						
	48.3						
6	50.8	92	86	66	3	72	M6x70

**DIN 3015 - Part 1  
Standard Series Clamps**

Product Code **PCL**

**Jaws Material Code**  
Polypropylene - PP  
Poly Amide - PA  
Aluminium - AL

**Plate Material Code**  
Steel - No Code  
SS316 - SS

**Jaws Order Code**  
Group-Material Code-  
Pipe OD-Part Code

Eg: For Jaws  
1-PP-06-JPCL indicates  
6mm OD PP Clamp Halves  
Standard Series

DIN / JE GROUP	PIPE OD Dia	2 Clamp Halves (Jaws) - JPCL					Single Weld Plate - BP		Elongated Weld Plate - EBP			Mounting Hole Dia
		L1	L2	H	S	WIDTH	L1	L2	L1	L2	L3	
1	6	37	20	27	0.4 MIN	30	BP1		EBP1			6.5
	6.4						43	20	64	20	50	
	8											
	9.5											
	10											
	12											
2	12.7	42	26	33	0.6 MIN	30	BP2		EBP2			6.5
	13.5						48	26	70	26	56	
	14											
	15											
	16											
	17.2											
3	18	50	33	36	0.6 MIN	30	BP3		EBP3			6.5
	19						56	33	78	33	64	
	20											
	21.3											
	22											
	25											
4	26.9	59	40	42	0.6 MIN	30	BP4		EBP4			6.5
	28						65	40	87	40	73	
	30											
	32											
	33.7											
	35											
5	38	71	52	58	0.8 MIN	30	BP5		EBP5			6.5
	40						77	52	100	52	86	
	42											
	44.5											
	48.3											
	50.8											
6		86	66	66	0.8 MIN	30	BP6		EBP6			6.5
							92	66	115	66	100	

**DIN 3015 - Part 1  
Standard Series Clamps**

Product Code **PCL**

DIN / JE GROUP	PIPE OD Dia	TWIN WELD PLATE - TBP			TOP PLATE - TP			HEX BOLT - HB	SOCKET HEAD BOLT - SB				STACKING BOLT - STB				STACKING PLATE - SP	
		L1	L2	L3	L1	L2	HOLE DIA	DIN931/933 G x L	DIN 912 G x L D S				L1	L2	L3	SW	L	B2
1	6	TBP1			TP1			HB1	SB1				STB1				SP1	
	6.4																	
	8	77	20	37	37	20	7	M6x30	M6x20	11	0.8	34	20	12 MIN	11	37	11.1	
	9.5																	
	10																	
	12																	
2	12.7	TBP2			TP2			HB2	SB2				STB2				SP2	
	13.5																	
	14	86	26	44	42	26	7	M6x35	M6x25	11	0.8	40	25	12 MIN	11	42	11.1	
	15																	
	16																	
	17.2																	
3	18	TBP3			TP3			HB3	SB3				STB3				SP3	
	19																	
	20	102	33	52	50	33	7	M6x40	M6x30	11	0.8	44	30	12 MIN	11	50	11.1	
	21.3																	
	22																	
	25																	
4	26.9	TBP4			TP4			HB4	SB4				STB4				SP4	
	28	120	40	60	59	40	7	M6x45	M6x35	11	0.8	48	35	12 MIN	11	59	11.1	
	30																	
	32																	
	33.7																	
	35																	
5	38	TBP5			TP5			HB5	SB5				STB5				SP5	
	40	163	52	75	71	52	7	M6x60	M6x50	11	0.8	64	50	12 MIN	11	71	11.1	
	42																	
	44.5																	
	48.3																	
	50.8																	
6		TBP6			TP6			HB6	SB6				STB6				SP6	
		178	66	90	86	66	7	M6x70	M6x60	11	0.8	73	60	12 MIN	11	86	11.1	